

# INSTRUCTION MANUAL

-**PLEASE** read these instructions carefully before operating this appliance.  
-The temperature is thermostatically controlled between the range of 50°C to 300°C (122°F to 572°F). A signal lamp adjacent to the thermostat indicates when the heating element is energized.

## IMPORTANT

- This unit is designed to operate on alternating current (A.C.) Only.
- DO NOT CONNECT TO DIRECT CURRENT (D.C.)**
- Care should be taken when operating this appliance as **HOT SURFACES** may cause burns.
- Ensure that the power supply cord does not come into contact with hot surfaces.
- Do not leave unit in operation without an attendant.
- When not in use for long period unplug the appliance.

## INSTALLATION AND OPERATION

- Check if voltage of your power system corresponds to the same specified on the machine label.
- Before using the appliance for the first time, remove the protective coating (medicinal vaseline) with a damp cloth and turn the control knob to 300°C (572°F). Allow the appliance to heat for +/- 30 minutes. You will notice smoke appearing due to the protection coating and internal insulation burning, which is normal.
- After the 30 minutes heating, turn temperature control down to operating desired temperature, keep knob in this position until pilot light turns off, at this point the unit will be at the desired temperature and ready to be used.
- To turn off the unit turn knob completely towards left.

## CLEANING PROCEDURE

- Always ensure that the appliance is disconnected from the main power supply before cleaning.
- After appliance has cooled clean cooking surface and body using only a damp cloth. Never use water jet or immerse appliance in water.
- Wipe off appliance with a dry cloth and wait at least half an hour before re-connecting to main power outlet.



# Pancake/French Crepe Maker

## Instruction Manual

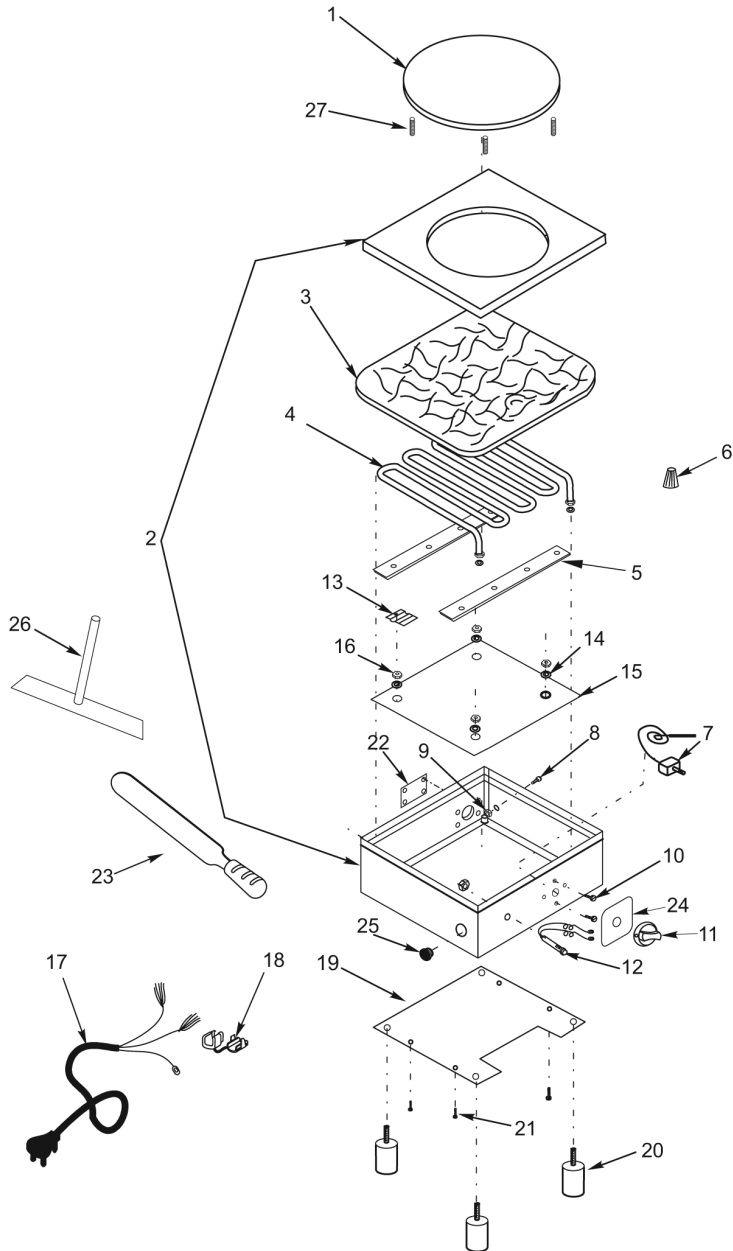


**Model: FCM-120**

# Pancake/French Crepe Maker

## Instruction Manual

Model: FCM-120



Item	Part #	Description
1	N/A	Heating Plate
2	N/A	Body
3	N/A	Insulation
4	04024	Heating Element (1600W)
5	N/A	Heating Element Support
6	N/A	Wire Connector
7	04113	Thermostat
8	N/A	Screw (3/16")
9	N/A	Nut (3/16")
10	N/A	Screw
11	04031	Knob
12	04060	Pilot Light
13	04039	Thermostat Bulb Retainer
14	N/A	Washer (1/4")
15	N/A	Heating Plate Protection
16	N/A	Nut (1/4")
17	04040	Plug & Cord
18	04097	Cord Retainer
19	N/A	Bottom Cover Plate
20	04007	Foot
21	N/A	Screw (3,5)
22	N/A	Adapter
23	04010	Spatula
24	N/A	Plate
25	N/A	Rubber Finishing Plug
26	04009	Preparing Tool
27	N/A	Screw

Specifications	
Model	FCM-120
Volts	110
Watts	1600
Amps	14.5
Width Depth Height	17" 17.4" 7½"
Ship Weight	31.9 lbs.

Wiring diagram

