

INSTRUCTION MANUAL

IMPORTANT SAFEGUARDS

When using electrical appliances, basic safety precautions should always be observed including the following:

- Before connecting your blender check if voltage of your power system corresponds to the same specified on the appliance.
- To protect against risk of electrical shock, do not put cord, plug, base or motor in water or other liquids.
- Never connect two or more appliances in the same plug.
- When not in use, unplug the blender.
- Avoid contact with moving parts because blades are sharp. "Handle carefully".
- Keep hands and utensils out of container while blending to prevent the possibility of severe personal injury and or damage to blender. A plastic spatula may be used but only when blender is "NOT RUNNING".
- Only remove the container when blender "COMPLETELY STOPPED".

INSTRUCTIONS FOR USE

- It is recommended to cut food in small pieces and maintain food below freeze height to avoid spilling.
- To start blender, place small quantity of food before connecting it, and afterwards complete container placing food through service lid.
- When blender is running do not remove the lid.
- If blender action stops, turn blender off. Remove lid and use a plastic spatula to push mixture toward blades. Replace lid and start blender again.

CLEANING PROCEDURE

- Clean container (cup) with liquid soap and water filling to half capacity.
- Turn on blender for some seconds.
- Turn off blender, empty the container and rinse it.
- Unplug blender clean body and external cup with a wet cloth.
- Do not use harsh detergent or chemical products for cleaning.



Stainless Steel 2 Gallon Blender Instruction Manual



Model: B8S-120



Cecilware Corporation 43-05 20th. Avenue, LIC NY 11105
Tel: 800.935.2211 / 718.932.1414 • Fax: 718.932.7860

www.cecilware.com

Cecilware Corporation 43-05 20th. Avenue, LIC NY 11105
Tel: 800.935.2211 / 718.932.1414 • Fax: 718.932.7860



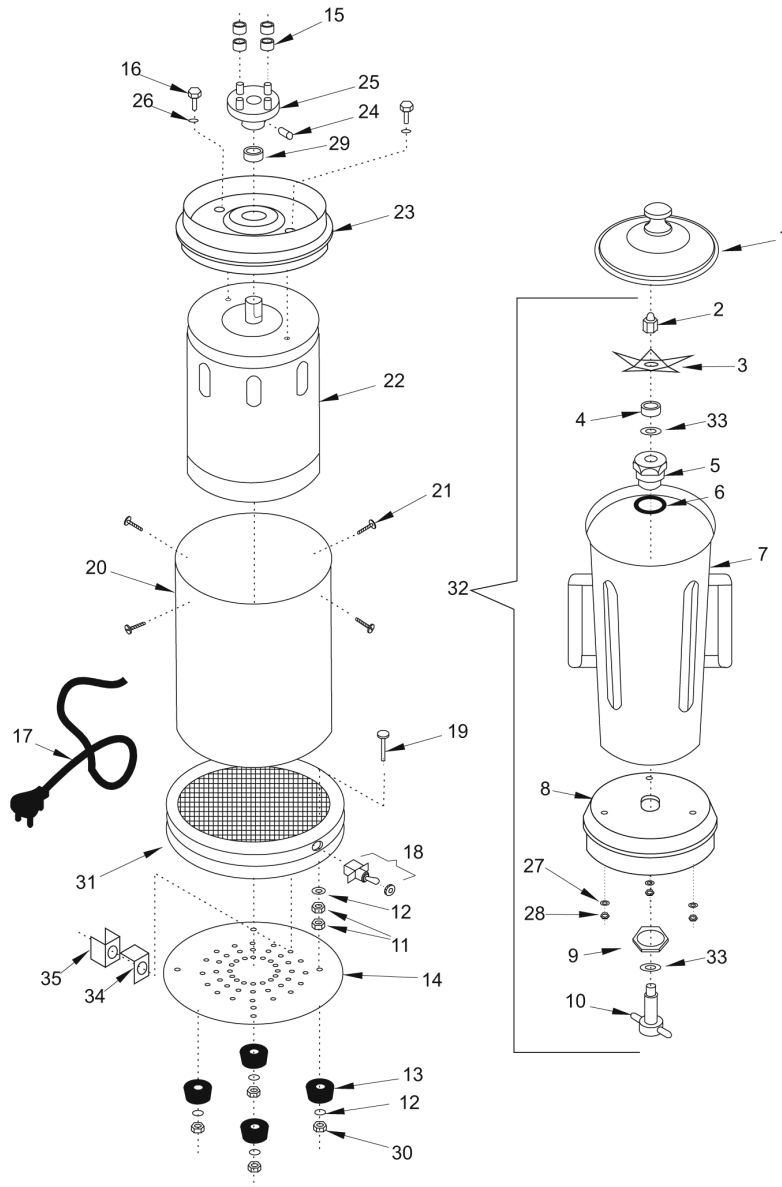
www.cecilware.com

Printed 10/07 rev2

Stainless Steel 2 Gallon Blender

Instruction Manual

Model: B8S-120



Item	Part #	Description
1	04124	Lid
2	04100	Impeller Nut
3	04111	Impeller
4	04104	Retainer
5	04105	Bushings (Chuck)
6	04103	O Ring
7	04125	Container (8L)
8	04120	Container's Base
9	04102	Chuck Nut
10	04075	Shaft
11	N/A	Nut
12	N/A	Washer
13	04041	Rubber Foot
14	N/A	Bottom Cover Plate
15	04099	Polyurethane Ring
16	N/A	Screw
17	04040	Plug & Cord
18	04004	Switch (on-off)
19	N/A	Screw
20	N/A	Body
21	N/A	Screw
22	04082	60HZ Motor
23	N/A	Container's Support
24	N/A	Screw
25	04101	Shaft Adapter
26	N/A	Washer
27	N/A	Washer
28	N/A	Nut
29	04112	Retainer
30	N/A	Nut
31	N/A	Foot
32	N/A	Container Assembly
33	04110	Underfriction Washer
34	N/A	Switches' Fastener
35	N/A	Switches' Protection

Specifications	
Model	B8S-120
Volts	110
Watts	968
Amps	8.8
HP	1/2
Speed	3465 rpm
Capacity	8 l
Width	10.3"
Depth	8.3"
Height	29.6"
Ship Weight	24.2 lbs.

Wiring Diagram

