

INSTRUCTION MANUAL

IMPORTANT SAFEGUARDS

When using electrical appliances, basics safety precautions should always be observed including the following:

- Before connecting your blender check if voltage of your power system corresponds to the same specified on the appliance.
- To protect against risk of electrical shock, do not put cord, plug, base or motor in water or other liquids.
- Never connect two or more appliances in the same plug.
- When not in use, unplug the blender.
- Avoid starting blender
- Avoid contact with moving parts because blades are sharp. "Handle carefully".
- Keep hands and utensils out of container while blending to prevent the possibility of severe personal injury and or damage to blender. A plastic spatula may be used but must be used only when blender is "NOT RUNNING".
- Only remove the container when blender "COMPLETELY STOPPED".

INSTRUCTIONS FOR USE

- Blender control is made by two buttons: * White bottom (on/off)
* Red bottom (pulse)
- It is recommended to cut food in small pieces and maintain food below frieze height to avoid spilling.
- To start blender, place small quantity of food before connecting it, and afterwards complete container placing food through service lid.
- For mixed dry ingredient use the pulse bottom first.
- When blender is running do not remove the lid.
- If blender action stops, turn blender off. Remove lid and use a plastic spatula to push mixture toward blades. Replace lid and continue.

CLEANING PROCEDURE

- Clean container (cup) with liquid soap and water filling to half capacity.
- Turn on blender for some seconds.
- Turn off blender, empty the container and rinse it.
- Unplug blender clean body and external cup with a wet cloth.
- Do not use harsh detergent or chemical products for cleaning.
- To disassemble see Fig1



1 Gallon Blender

Instruction Manual



Model: B4A-120



Cecilware Corporation 43-05 20th. Avenue, LIC NY 11105
Tel: 800.935.2211 / 718.932.1414 • Fax: 718.932.7860

www.cecilware.com

Cecilware Corporation 43-05 20th. Avenue, LIC NY 11105
Tel: 800.935.2211 / 718.932.1414 • Fax: 718.932.7860



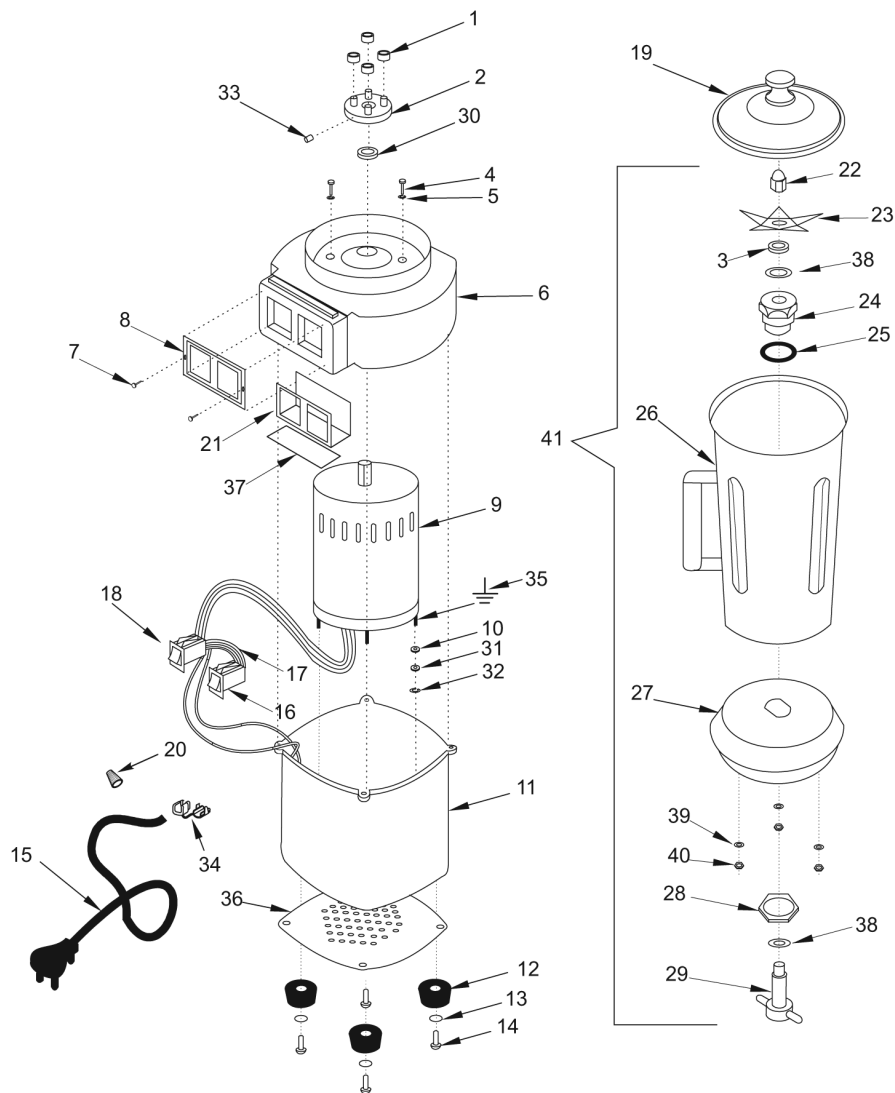
www.cecilware.com

Printed 10/07 rev2

1 Gallon Blender

Instruction Manual

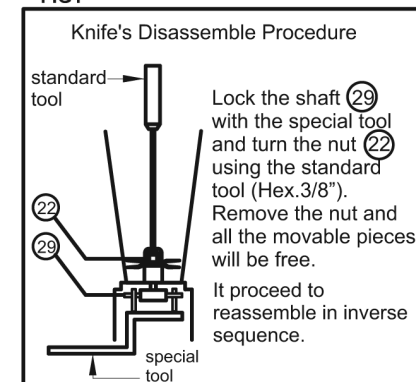
Model: B4A-120



Item	Part #	Description
1	04099	Polyurethane Ring
2	04101	Shaft Adapter
3	04104	Retainer
4	N/A	(1/4) Screw
5	N/A	Washer
6	N/A	Body Cover
7	N/A	Screw
8	N/A	Switches' Plate
9	04082	60 HZ Motor
10	N/A	Washer
11	N/A	Body
12	04068	Rubber Foot
13	N/A	Washer
14	N/A	Rivet
15	04040	Plug & Cord
16	04001	Switch (on/off)
17	N/A	Wire Connection
18	04000	Switch (pulse)
19	04118	Lid
20	N/A	Wiring Connector
21	N/A	Insulator
22	04100	Impeller Nut (Hex-3/8")
23	04111	Impeller
24	04105	Bushings (Chuck)
25	04103	O Ring
26	04119	Container (4l)
27	04120	Container's Base
28	04102	Chuck Nut
29	04075	Shaft
30	04112	Retainer
31	N/A	Washer
32	N/A	Washer
33	N/A	Screw
34	04097	Cord Retainer
35	N/A	Screw Ground
36	N/A	Bottom Cover Plate
37	N/A	Protection Plate
38	04110	Underfriction Washer
39	N/A	Screw
40	N/A	Washer
41	N/A	Container Assembly

Specifications	
Model	B4A-120
Volts	110
Watts	770
Amps	7
HP	1/2
Speed	3465 rpm
Capacity	4 l
Width	8.7"
Depth	9 1/2"
Height	24 1/2"
Ship Weight	35.2 lbs.

FIG1



Wiring Diagram

